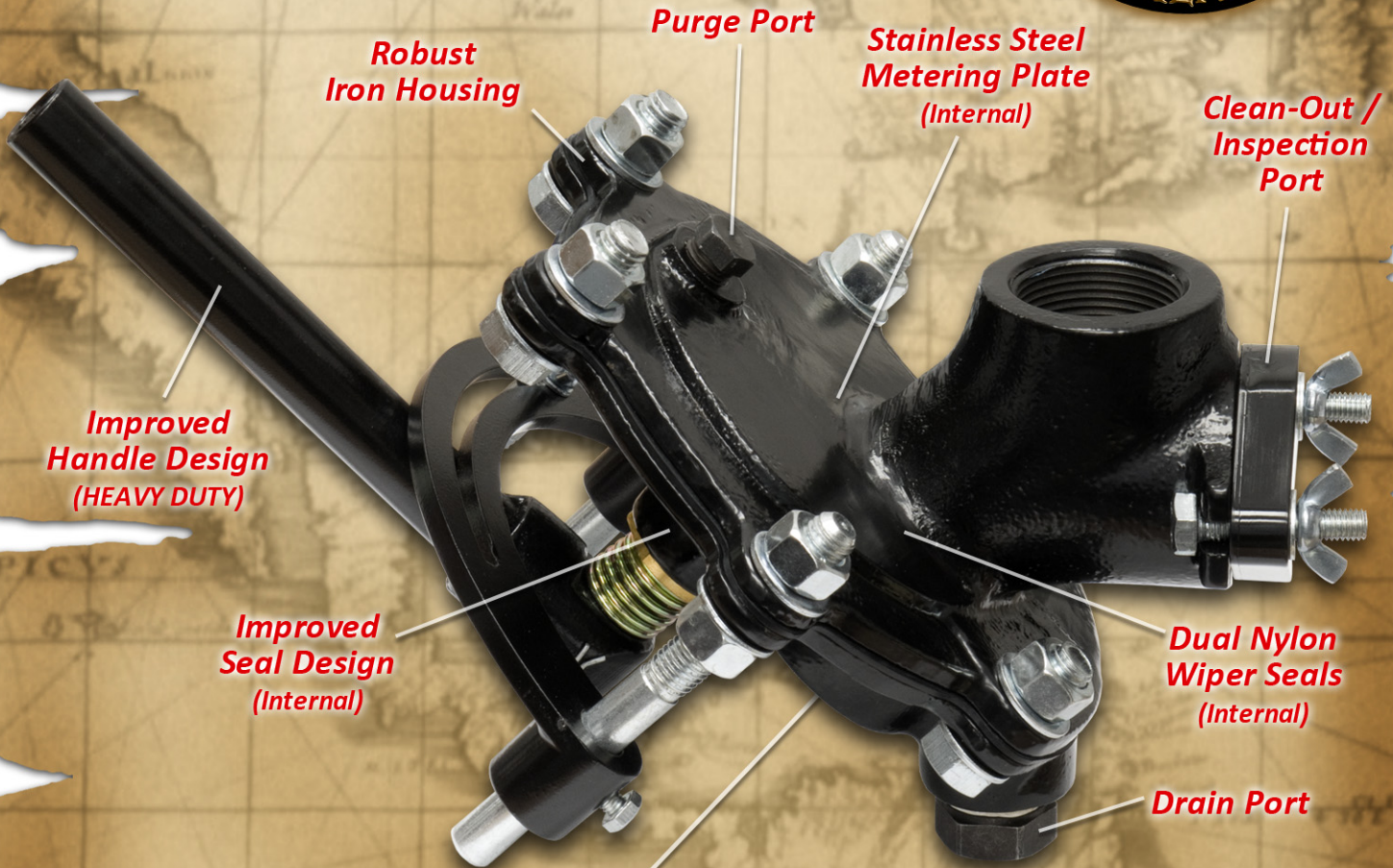


# AMV II™

## ABRASIVE METERING VALVE II



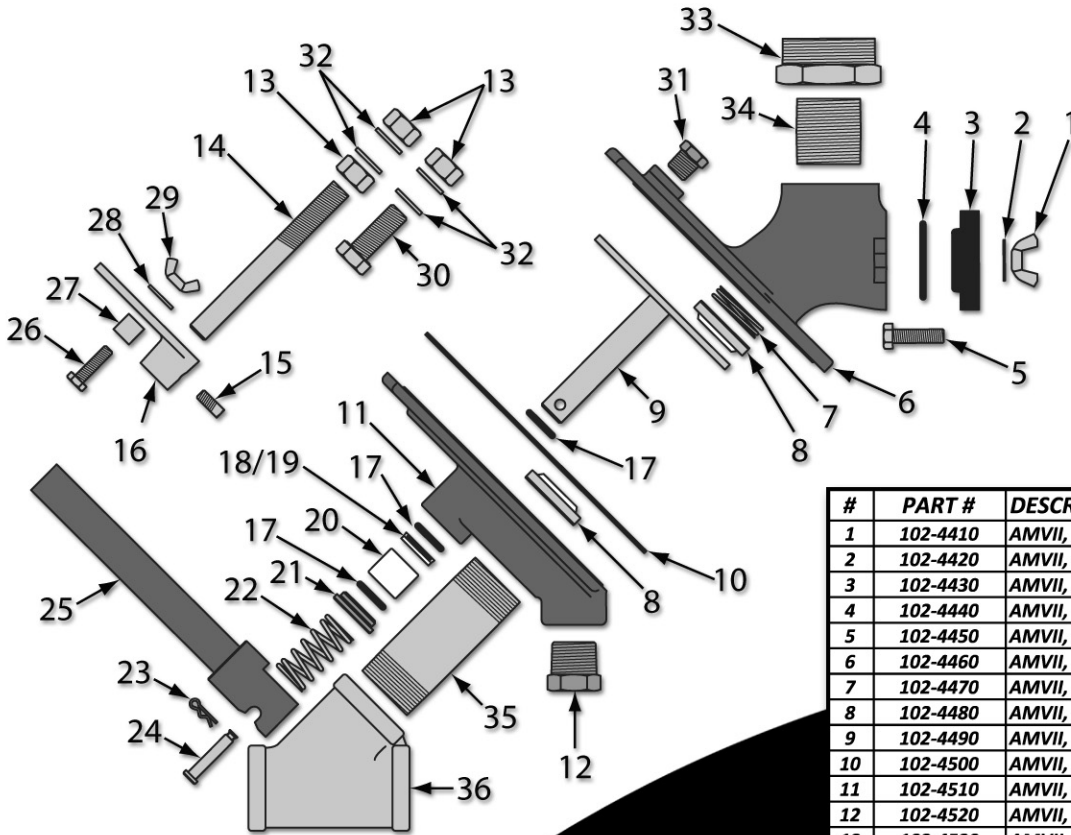
### The AMVII Metering Valve is here!

The AMVII has plenty of new features that make it the most advanced and reliable flat style metering valve available

#### Features & Benefits:

- ▶ Stainless Steel Metering Plate
- ▶ Robust Iron Housing
- ▶ THIS ONE WORKS WITH STEEL GRIT
- ▶ Nylon Wiper Seals On BOTH Sides Of Metering Plate (Prevents Abrasive From Entering Housing And Causing Jams)
- ▶ Large Clean-Out/Inspection Port & Drain Port Are Provided For Greatly Improved Servicing & Maintenance
- ▶ Purge Port Allows A Compressed Air Supply To Be Connected To Assist In Flushing Out Any Blockages Through The Drain Port
- ▶ Improved Handle Design - HEAVY DUTY
- ▶ Improved Sealing Of The Metering Plate Stem Using A Combination Of Lip Seals And O-Rings

# Parts & Repair Kits



#	PART #	DESCRIPTION
1	102-4410	AMVII, WING NUT
2	102-4420	AMVII, FLAT WASHER
3	102-4430	AMVII, INSPECTION PLATE
4	102-4440	AMVII, O RING (INSPECTION PLATE)
5	102-4450	AMVII, HEX HEAD BOLT
6	102-4460	AMVII, VALVE UPPER BODY, NPT
7	102-4470	AMVII, SEAL SPRING
8	102-4480	AMVII, METERING PLATE WIPER SEAL
9	102-4490	AMVII, METERING PLATE
10	102-4500	AMVII, RUBBER GASKET
11	102-4510	AMVII, VALVE LOWER BODY, NPT
12	102-4520	AMVII, HEX PLUG
13	102-4530	AMVII, NUT
14	102-4550	AMVII, STUD
15	102-4560	AMVII, MACHINE HEAD SCREW
16	102-4570	AMVII, GAUGE UNIT
17	102-4580	AMVII, O RING
18	102-4590	AMVII, O RING (SHAFT U-SEAL)
19	102-4600	AMVII, SHAFT U-SEAL
20	102-4610	AMVII, PACKING GLAND
21	102-4620	AMVII, BUSH
22	102-4630	AMVII, SPRING
23	102-4640	AMVII, R-SPLIT PIN
24	102-4650	AMVII, HANDLE PIN
25	102-4660	AMVII, HANDLE
26	102-4670	AMVII, HEX HEAD MACHINE SCREW
27	102-4680	AMVII, GAUGE UNIT SPACER
28	102-4690	AMVII, FLAT WASHER
29	102-4700	AMVII, WING NUT
30	102-4710	AMVII, HEX HEAD BOLT
31	102-4720	AMVII, HEX PLUG
32	102-4730	AMVII, FLAT WASHER
33	3026-108-07	BUSHING, GALV, 1-1/2" x 1-1/4"
34	3028-107-99	NIPPLE, TBE, SCHEDULE 80, GALV, 1-1/4" x CLOSE
35	3028-107-14	NIPPLE, TBE, SCHEDULE 80, GALV, 1-1/4" x 4"
36	3012-107	WYE, GALV, 1-1/4"

## AMVII - Complete Valve



**PN: 102-4350**

AMVII, COMPLETE VALVE,  
X-TREME DUTY, 1-1/4" (DB1000)

### Service Kit



**PN: 102-4800**

AMVII, SERVICE KIT,  
INCLUDES #9, 10, (3)17,  
18, 19, 20, 21 & 22

### Wiper Seal Kit



**PN: 102-4810**

AMVII, WIPER SEAL KIT,  
INCLUDES #7 & (2)8

Proudly Distributed By: