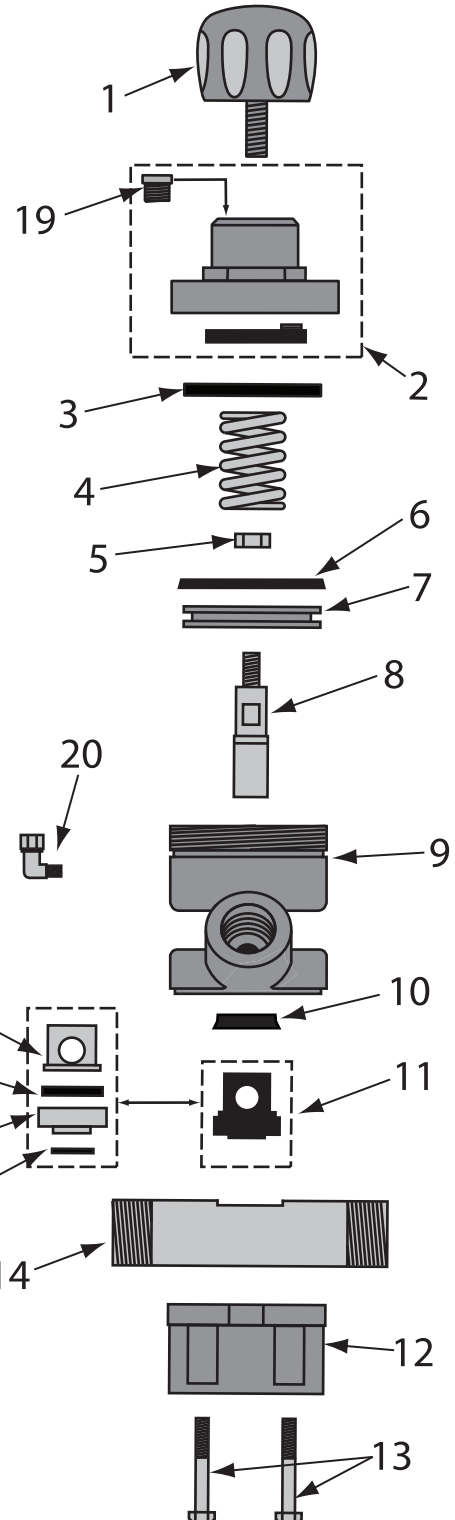




ASSEMBLY INSTRUCTIONS



APV (Automatic Plunger Valve)	
	2149-006 APV, 1", W/TC SLEEVE
	2149-106 APV, 1", W/URETHANE SLEEVE
	2149-007 APV, 1-1/4", W/TC SLEEVE
	2149-107 APV, 1-1/4", W/URETHANE SLEEVE
	2149-008 APV, 1-1/2", W/TC SLEEVE
	2149-108 APV, 1-1/2", W/URETHANE SLEEVE
	2149-000-99 APV, REPAIR KIT W/TC SLEEVE, INCLUDES # 6, 8, 10, 15, 16, 17 & 18
	2149-000-98 APV, SEAL KIT, SEALS ONLY W/URETHANE SEAT, INCLUDES # 6, 10, 15 & 17
	2149-100-99 APV, REPAIR KIT W/URETHANE SLEEVE, INCLUDES # 6, 8, 10 & 11
	2149-100-98 APV, SEAL KIT, SEALS ONLY W/URETHANE SLEEVE, INCLUDES 6, 10, & 11
1	2149-000-01 APV, KNOB
2	2148-000-02 APV & APV II, CAP ASSEMBLY
3	2149-000-19 APV & APV II, BUMP RING
4	2149-000-03 APV & APV II, SPRING
5	2149-000-08 APV, NUT
6	2149-000-04 APV, PISTON SEAL
7	2149-000-05 APV, PISTON
8	2149-000-07 APV, TUNGSTEN CARBIDE, PLUNGER
9	2149-000-09 APV, CYLINDER
10	2148-000-06 VALVE, PLUNGER SEAL
11	2149-100-13 APV, SLEEVE, URETHANE
12	2149-000-11 APV, BASE
13	7010-507-55 APV & APV II, BOLT, 4 PACK
14	2149-006-15 APV & APV II, PIPE NIPPLE 1" FEMALE x 1-1/2" MALE
	2149-007-15 APV & APV II, PIPE NIPPLE 1-1/4" MALE x 1-1/4" MALE
	2149-008-15 APV & APV II, PIPE NIPPLE 1-1/2" MALE x 1-1/2" MALE
15	2149-000-18 APV & APV II, O-RING
16	2149-000-14 APV, INSERT
17	2149-000-10 APV & APV II, URETHANE SEAT (BLACK)
18	2149-000-13 APV & APV II, SOLID TUNGSTEN CARBIDE SLEEVE
	2149-320-20 APV & APV II, MULTI PORTED SLEEVE STAINLESS STEEL
19	2014-300 VENT, 1/8
20	4203-500-00 SWIVEL 90°, 1/8"MNPT X 1/8"F