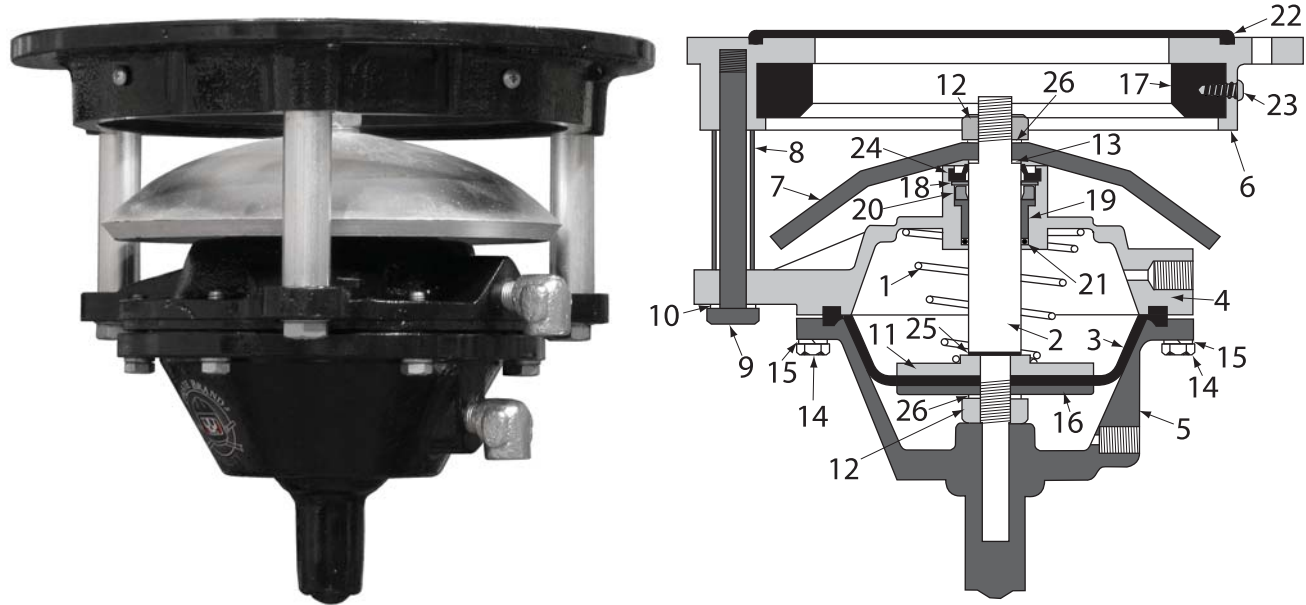




ASSEMBLY INSTRUCTIONS



Double Seal Posi Seal Valve

	2100-022	VALVE, POSI SEAL, DOUBLE SEAL, COMPLETE
	2100-022-99	VALVE, POSI SEAL, DOUBLE SEAL, REPAIR KIT INCLUDES # 3, 17, 20, 21, 22, 24 & 25
1	2100-022-01	VALVE, POSI SEAL, DOUBLE SEAL, SPRING
2	2100-022-02	VALVE, POSI SEAL, DOUBLE SEAL, VALVE STEM
3	2100-022-03	VALVE, POSI SEAL, DOUBLE SEAL, DIAPHRAGM
4	2100-022-04	VALVE, POSI SEAL, DOUBLE SEAL, UPPER BODY
5	2100-022-05	VALVE, POSI SEAL, DOUBLE SEAL, LOWER BODY
6	2100-022-06	VALVE, POSI SEAL, DOUBLE SEAL, SEAT RETAINER RING
7	2100-022-07	VALVE, POSI SEAL, DOUBLE SEAL, VALVE PLUG
8	2100-022-08	VALVE, POSI SEAL, DOUBLE SEAL, SPACER
9	7010-511-65	VALVE, POSI SEAL, DOUBLE SEAL, BOLT, 1/2" UNC
10	7028-504	VALVE, POSI SEAL, DOUBLE SEAL, WASHER, LOCK, 1/2"
11	2100-022-09	VALVE, POSI SEAL, DOUBLE SEAL, DIAPHRAGM PLATE
12	7017-515	VALVE, POSI SEAL, DOUBLE SEAL, NUT, 5/8"
13	7027-504-01	VALVE, POSI SEAL, DOUBLE SEAL, WASHER, FLAT, 5/8"
14	7010-505-07	VALVE, POSI SEAL, DOULBE SEAL, BOLT 5/16"
15	7028-551	VALVE, POSI SEAL, DOUBLE SEAL, WASHER, LOCK, 5/16"
16	2100-022-20	VALVE, POSI SEAL, DOUBLE SEAL, DIAPHRAGM BTM PLATE
17	2100-022-16	VALVE, POSI SEAL, DOUBLE SEAL, SEAT, URETHANE
18	2100-022-10	VALVE, POSI SEAL, DOUBLE SEAL, SNAP RING
19	2100-022-11	VALVE, POSI SEAL, DOUBLE SEAL, STEM SLEEVE, BRASS
20	2100-022-12	VALVE, POSI SEAL, DOUBLE SEAL, ROD WIPER SEAL
21	2100-022-24	VALVE, POSI SEAL, DOUBLE SEAL, O-RING, VALVE SEAT
22	2100-022-13	VALVE, POSI SEAL, DOUBLE SEAL, O-RING
23	7024-501-05	VALVE, POSI SEAL, DOUBLE SEAL, SHT METAL SCREW
24	2100-022-25	VALVE, POSI SEAL, DOUBLE SEAL, UPPER WIPER SEAL
25	2100-022-26	VALVE, POSI SEAL, DOUBLE SEAL, O-RING
26	2100-022-27	VALVE, POSI SEAL, DOUBLE SEAL, LOCK WASHER 5/8"