

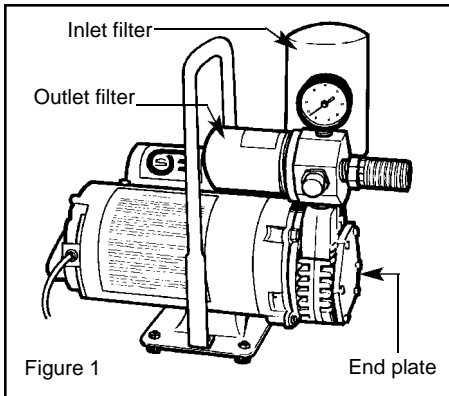


Repair Kit for EDP10 Free-Air® Pumps

⚠ WARNING ⚠: UNPLUG MOTOR CORD BEFORE DISASSEMBLING PUMP. FAILURE TO DO SO MAY RESULT IN ELECTRIC SHOCK OR PERSONAL INJURY.

Kit (Cat. No. 15921) Contains

Qty.	Cat. No.	Description
4		Carbon vanes
1	23611	Inlet filter
1	S17101	Outlet filter

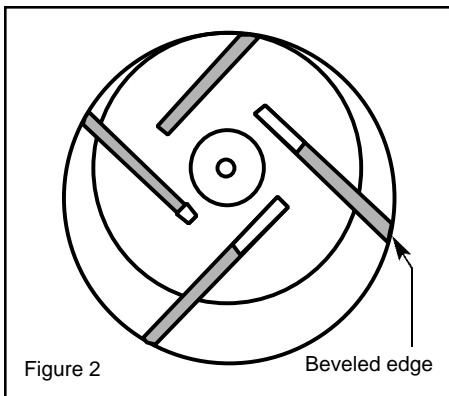


Carbon Vane Replacement:

1. Remove the six bolts holding the end plate (See figure 1) to the body using a 3/16 inch hex key Allen wrench.
2. Remove end plate.
3. Remove the four used carbon vanes.
4. Brush off or blow to clean rotor assembly.
5. Inspect for rust and clean if necessary.
6. Install new carbon vanes. Be sure that the beveled edge faces the outside of the rotor. The flat edge should face the inside of the rotor. (See figure 2.)
7. Rotate rotor by hand. Rotor should turn easily with no drag. If rotor drags, the pump may be damaged and may require factory repair. Contact our Customer Service Team at 800-827-0423 for assistance.
8. Reattach end plate with the six bolts. Hand tighten until snug.
9. Tighten using Allen wrench in order shown in figure 3.
10. Rotate shaft counter-clockwise using a screwdriver in slot on rear of motor. Rotation should be free with only a slight drag.

Outlet Filter Replacement:

1. Unscrew and remove aluminum jar labeled "Carbofine Outlet Filter Cartridge".
2. Unscrew the wing nut and remove metal retainer.
3. Remove and replace the filter.
4. Sandwich the new filter (Cat. No. S17101) between the metal retainers and put it back into position. Replace the wing nut and tighten by hand. Do not overtighten.
5. Screw the aluminum jar labeled "Carbofine Outlet Filter Cartridge" back into place. Be sure the jar makes a tight seal.



Inlet Filter Replacement:

1. Unscrew and remove inlet filter by turning counter-clockwise.
2. Replace with new inlet air filter (Cat. No. 23611) and tighten.

RECOMMENDED: REPLACE THE INLET FILTER EVERY 500 RUNNING HOURS, OR MORE OFTEN IF REQUIRED. REPLACE THE OUTLET FILTER CARTRIDGE EVERY 200 RUNNING HOURS OR MORE OFTEN IF REQUIRED.

