



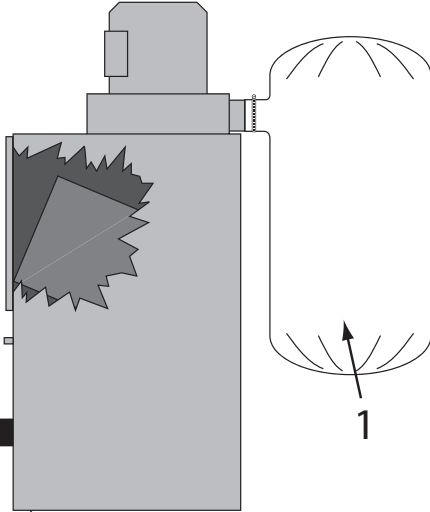
# PARTS CHECKLIST

Be Sure The Part You Need Is The Part You Get



## Clemco/Zero Style Filter & Dust Bags

### Clemco/Zero Style DCM-161 Mini Tumble Blast Cabinet Filter Bag



Line #

<input type="checkbox"/>	<b>1</b>		<b>120-70</b> FILTER BAG, 100 CFM
--------------------------	----------	---	--------------------------------------

Customer PO #: \_\_\_\_\_  
 Company Name: \_\_\_\_\_  
 Contact Name: \_\_\_\_\_

Proudly Distributed By

*To order parts, fill out this checklist and contact your Forecast Sales, Inc. Distributor*

If you currently do not have a distributor, use the "Distributor Locator" tool on our website to find your 3 closest locations.

### Note: Recommended Bag Replacement Intervals

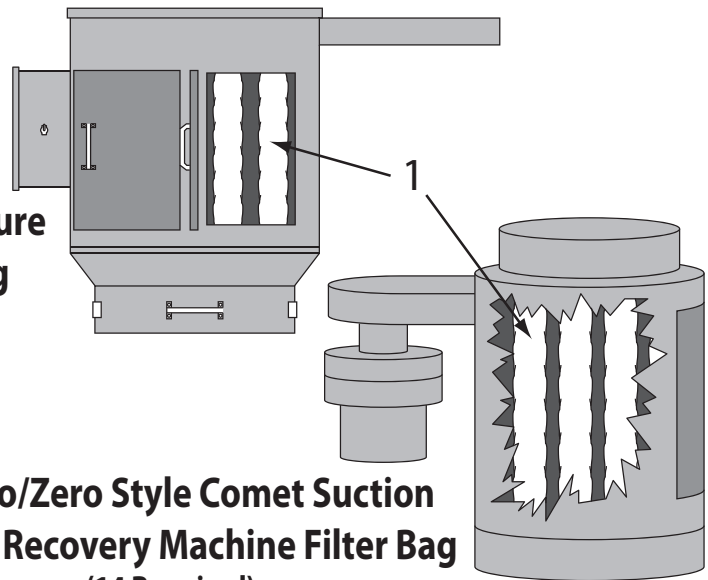
Equipment Used 1-2 Hours per day Replace every 3 years
--

Equipment Used 3-4 hours per day Replace every 2 years
--

Equipment Used 8 hours per day Replace every 1 year
---

Equipment Used 16 hours per day Replace every 6 months
--

### Clemco/Zero Style Super Comet Pressure Blast & Recovery Machine Filter Bag (12 Required)



### Clemco/Zero Style Comet Suction Blast & Recovery Machine Filter Bag (14 Required)

Line #

<input type="checkbox"/>	<b>1</b>		<b>120-240</b> FILTER BAG, 3" x 20"
--------------------------	----------	---	--



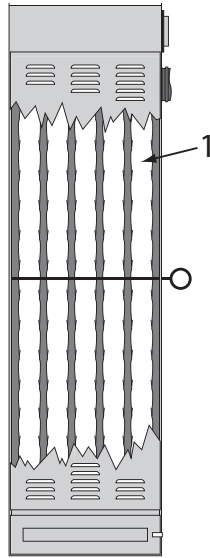
# PARTS CHECKLIST

Be Sure The Part You Need Is The Part You Get



## Clemco/Zero Style 300/600/900 CFM Reclaimer Filter Bags

(300 CFM - 15 Required)  
(600 CFM - 25 Required)  
(900 CFM - 40 Required)



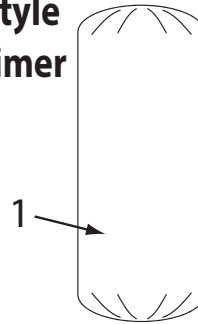
Line #

1



**120-200**  
FILTER BAG, 3-1/2" x 64"

## Clemco/Zero Style 300 CFM Reclaimer Dust Bag (1 Required)



Line #

1



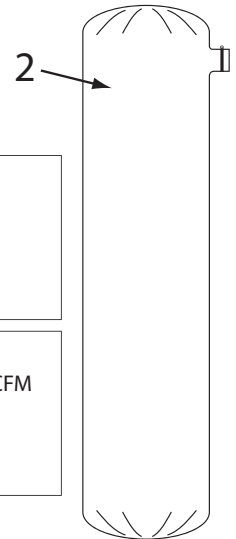
**120-160**  
FILTER BAG, 300 CFM

2

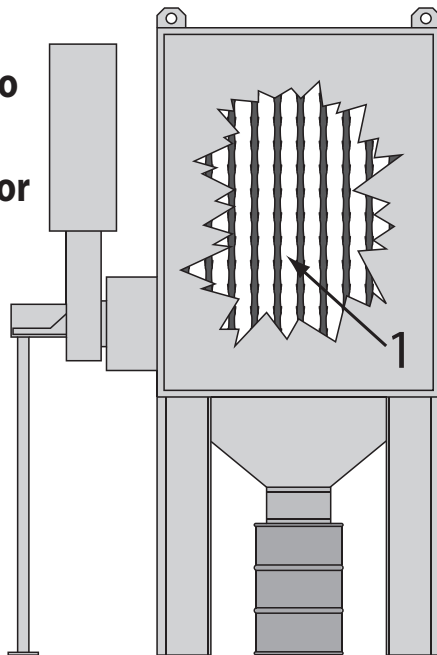


**120-170**  
FILTER BAG, 600/900 CFM

## Clemco/Zero Style 600/900 CFM Reclaimer Dust Bag (600 CFM - 1 Required) (900 CFM - 2 Required)



## Clemco/Zero Dry Filter Dust Collector



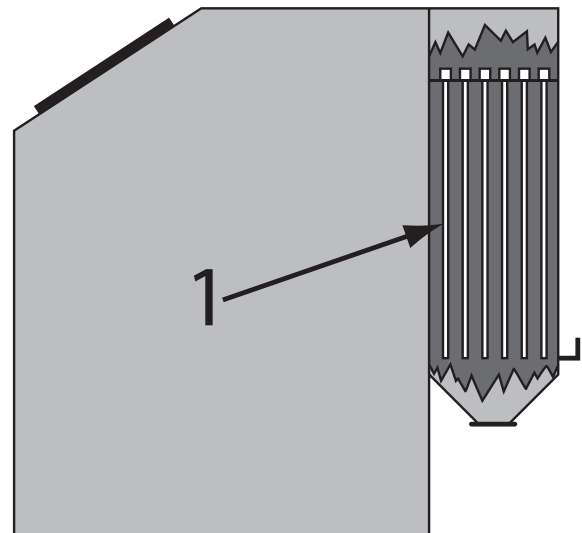
Line #

1



**120-200**  
FILTER BAG, 3-1/2" x 64"

## Clemco/Zero Dust Bag Envelope Machine



Line #

1



**943-702**  
DUST BAG, ENVELOPE,  
18-3/4" x 20-1/2"